

VEGAMET 624

Signal conditioning instrument for continuous measurement



Application area

VEGAMET 624 is a universal signal conditioning instrument for a number of control tasks such as level, gauge and process pressure measurement. Inventory management, VMI (Vendor Managed Inventory) and remote enquiry are further application possibilities. Comprehensive adjustment functions allow individual adaptation to the respective application.

Advantages

- 4 ... 20 mA/HART sensor input with transmitter power supply
- Three relay outputs, three scalable current outputs
- Lighted, graphic-capable LC display
- Comprehensive adjustment functions, e.g. scaling, linearisation
- Integrated webserver
- Measured value and message transmission via e-mail
- Suitable for data exchange with WEB-VV

Function

The VEGAMET 624 signal conditioning instrument powers any individual 4 ... 20 mA/HART sensor and processes its measured value. Through an adjustment on VEGAMET, this measured value can be individually scaled/linearised and transferred to connected instruments via the current outputs. Three operating relays are available as limit alarms. Optional interfaces offer the possibility of remote enquiry of measured values. With the built-in webserver, the measured values can be made available in a network.

Technical data

Series	Module unit with plug-in socket for mounting on carrier rail 35 x 7.5 (EN 50022)
Connection terminals	
– Type of terminal	Screw terminal
– Max. wire cross-section	1.5 mm ² (AWG 16)
Operating voltage	20 ... 253 V AC, 50/60 Hz, 20 ... 253 V DC
Max. power consumption	12 VA; 7.5 W

Sensor input

Number of sensors	1 x 4 ... 20 mA (HART)
Type of input (selectable)	
– Active input	Sensor power supply by VEGAMET 624
– Passive input	Sensor has own power supply
Measured value transmission (changeable)	
– HART protocol	digital for VEGA HART sensors
– 4 ... 20 mA	analogue for 4 ... 20 mA sensors

Relay outputs

Quantity	3 x operating relay, 1 x fail safe relay
Turn-on voltage	min. 10 mV DC, max. 250 V AC/DC
Switching current	min. 10 µA DC, max. 3 A AC, 1 A DC
Breaking capacity	min. 50 mW, max. 750 VA, max. 40 W DC (with U less than 40 V)

Current outputs

Quantity	3 x outputs
Range	0/4 ... 20 mA, 20 ... 0/4 mA
Max. load	500 Ω

Ethernet interface (optional)

Quantity	1 x, cannot be combined with RS232
Data transmission	10/100 Mbit

RS232 interface (optional)

Quantity	1 x, cannot be combined with Ethernet
----------	---------------------------------------

Measured value indication

– graphic-capable LC display (50 x 25 mm), lighting	digital and quasianalogue indication
– Max. indicating range	-99999 ... 99999

LED displays

– Status operating voltage	1 x LED green
– Status fault signal	1 x LED red
– Status operating relay 1/2/3	3 x LED yellow
– Status interface	1 x LED green

Ambient temperature	-20 ... +60 °C (-4 ... +140 °F)
---------------------	---------------------------------

Protection rating

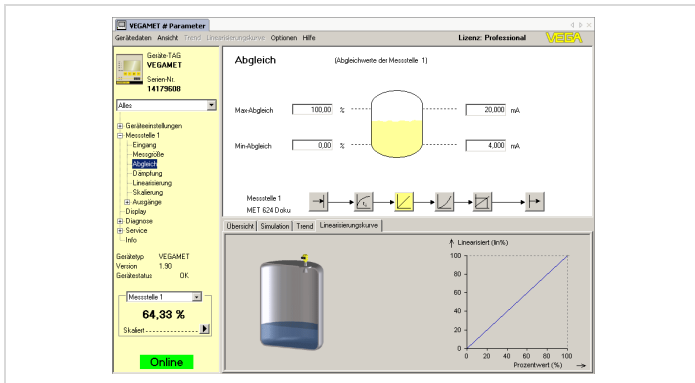
– Instrument	IP 30
– Terminal socket	IP 20

Approvals

You can find detailed information on the existing approvals in the "configurator" on our homepage under www.vega.com/configurator.

Operation

The adjustment of VEGAMET 624 is menu-driven via four keys in the front and a clear, graphic-capable LC display with background lighting. As an alternative, parameter adjustment of the instrument is also possible via the adjustment software PACTware and the respective DTM.



Information

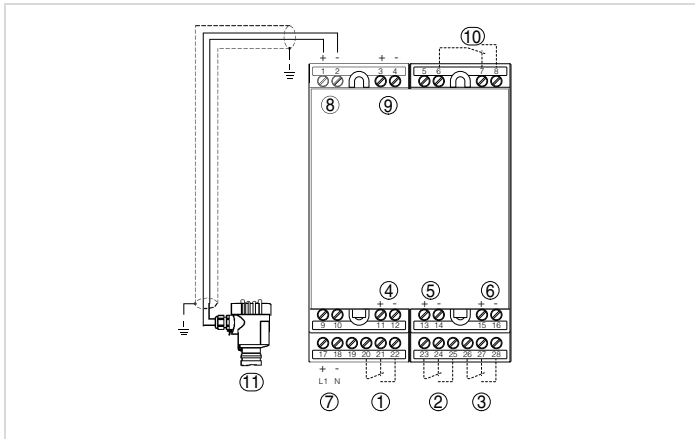
You can find further information about the VEGA product line on our homepage www.vega.com.

You can find free-of-charge operating instructions, product information, brochures, approval documents, instrument drawings, etc. in the download section under www.vega.com/downloads.

Contact

You can find the VEGA agency serving your area on our homepage www.vega.com.

Electrical connection



Connection VEGAMET 624 with two-wire sensor

- 1 Internal operating relay 1
- 2 Internal operating relay 2
- 3 Internal operating relay 3
- 4 Internal current output 1
- 5 Internal current output 2
- 6 Internal current output 3
- 7 Voltage supply of VEGAMET 624
- 8 Measurement data input with sensor supply (active input)
- 9 Measurement data input (passive input), not with Ex-ia version
- 10 Internal fail safe relay
- 11 4 ... 20 mA/HART sensor (two-wire version)

You can find details on the electrical connection in the operating instructions of the instruments on our homepage under www.vega.com/downloads.

Dimensions

