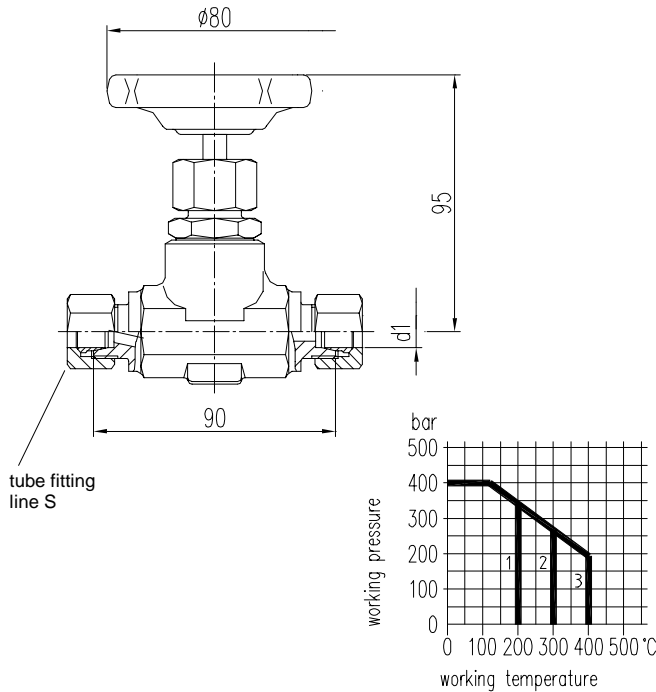
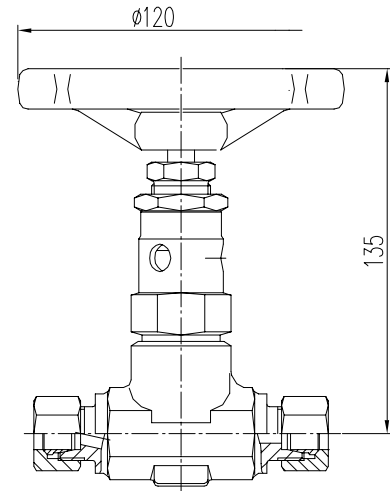


internal stem thread

external stem thread


- 1 PTFE packing
- 2 graphite packing - internal stem thread
- 3 graphite packing - external stem thread

Tube O. D.	Material	DN	Part no. for shut-off valve with	
			internal stem thread	external stem thread
10	steel st. st.	6	S350.01.113 S350.01.213	S351.01.113 S351.01.213
12	steel st. st.	8	S350.01.114 S350.01.214	S351.01.114 S351.01.214
14	steel st. st.	10	S350.01.115 S350.01.215	S351.01.115 S351.01.215
16	steel st. st.	10	S350.01.116 S350.01.216	S351.01.116 S351.01.216

Components	Internal stem thread		External stem thread	
	Steel	Stainless steel ¹⁾	Steel	Stainless steel ¹⁾
	DIN - Material Number			
Body ²⁾	1.0460	1.4571	1.0460	1.4571
Bonnet	1.0501	1.4571	1.7709	1.4571
Valve seat	1.4571/ 1.4021	1.4571	1.4021	1.4571
Valve stem	1.4104	1.4571	1.4021	1.4571
Needle tip	1.4122 ⁶⁾	1.4571	1.4122 ⁶⁾	1.4571
Packing	graphite up to 300°C	PTFE up to 200°C ⁴⁾	graphite up to 400°C	PTFE up to 200°C ⁵⁾
Union nut / gland nut	steel -	1.4571 -	- 2.0550	- 1.4301
Handwheel	plastic ³⁾		steel	

- **Body:** die-pressed part
- **Surface:** steel phosphatized
- Internal or external stem thread
- Replaceable valve seat
- Stem with cold rolled surface, back seat and non-rotating needle tip
- Line L on request
- Special types are available

- 1) Can also be supplied for oxygen service. Please notice order instruction B 3!
- 2) Available with inspection certificate 3.1 acc. to EN 10 204
- 3) Can also be supplied with handwheel made of steel
- 4) Available with graphite up to 300°C
- 5) Available with graphite up to 400°C
- 6) 1.4122 quenched and tempered