

VEGAPULS 65

4 ... 20 mA/HART two-wire

Radar sensor for continuous level measurement of liquids



Application area

VEGAPULS 65 is suitable for applications in liquids in smaller vessels under easy process conditions.
Application possibilities in virtually all areas of industry.

Advantages

- Non-contact measurement
- Simple mounting
- Wear and maintenance free
- Unaffected by pressure, temperature, gas and dust
- High accuracy
- SIL qualified

Function

Extremely short microwave impulses are emitted by the antenna system in the direction of the measured product, reflected by the product surface and received back again by the antenna system. The time from emission to reception of the signals is proportional to the level. A special processing procedure ensures reliable and precise measurement.

Technical data

Measuring range up to	35 m (114.8 ft)
Deviation	±8 mm
Process fitting	Thread G1½ A or 1½ NPT, flange from DN 50 or ANSI 2"
Process pressure	-1 ... +16 bar/-100 ... +1600 kPa (-14.5 ... +232 psig)
Process temperature	-40 ... +150 °C (-40 ... +302 °F)
Ambient, storage and transport temperature	-40 ... +80 °C (-40 ... +176 °F)
Operating voltage	9.6 ... 36 V DC

Materials

The wetted parts of the instrument are made of PVDF, 316L or PTFE. The process seal is made of FKM.
You will find a complete overview of the available materials and seals in the "configurator" on our homepage under www.vega.com/configurator.

Housing versions

The housings are available as single chamber or double chamber version in plastic, stainless steel or aluminium.
They are available in protection ratings up to IP 68 (1 bar).

Electronics versions

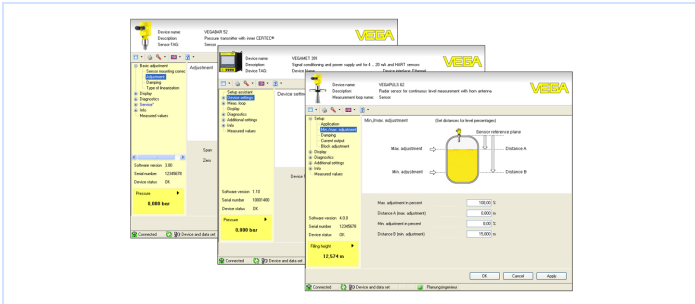
The instruments are available in different electronics versions. Apart from the two-wire electronics with 4 ... 20 mA/HART, a four-wire version and two purely digital versions with Profibus PA and Foundation Fieldbus are available.

Approvals

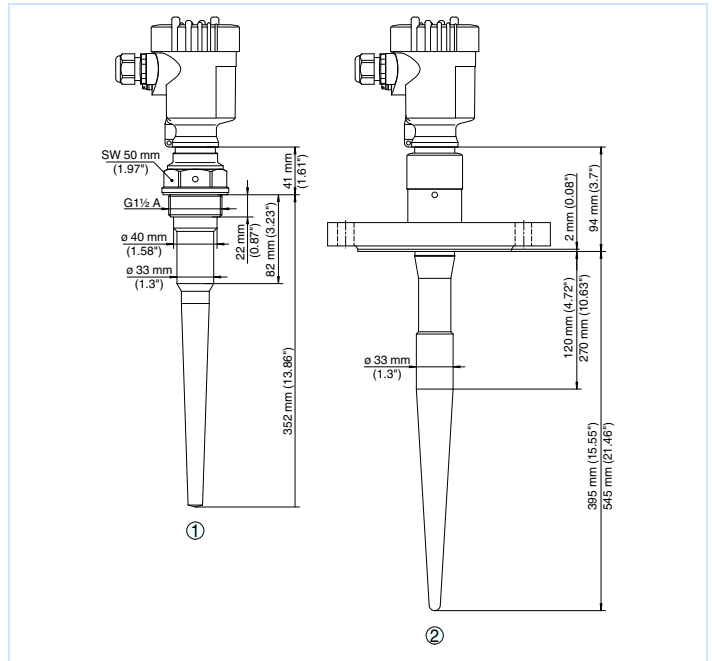
The instruments are suitable for use in hazardous areas and are approved e.g. according to ATEX and IEC. The instruments have also different ship approvals such as e.g. GL, LRS or ABS.
You can find detailed information on the existing approvals in the "configurator" on our homepage under www.vega.com/configurator.

Operation

The adjustment of the instrument is carried out via the optional indicating and adjustment module PLICSCOM or via a PC with the adjustment software PACTware and respective DTM. Further adjustment options are available via HART communicator as well as manufacturer-specific programs such as AMS™ or PDM.



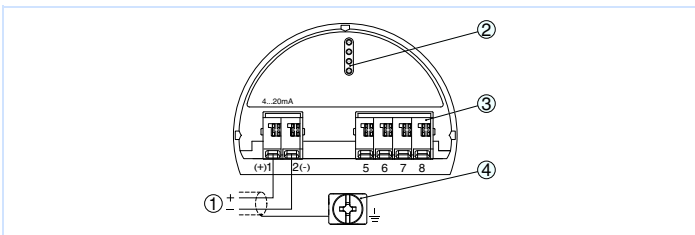
Dimensions



Dimensions VEGAPULS 65

- 1 Threaded version G1½ A
- 2 Flange version DN 80

Electrical connection



Electronics and connection compartment, single chamber housing

- 1 Voltage supply/Signal output
- 2 For indicating and adjustment module or interface adapter
- 3 For external indicating and adjustment unit
- 4 Ground terminal for connection of the cable screen

You can find details on the electrical connection in the operating instructions of the instruments on our homepage under www.vega.com/downloads.

Information

You can find further information about the VEGA product line on our homepage www.vega.com. In the download section under www.vega.com/downloads you'll find free operating instructions, product information, brochures, approval documents, instrument drawings and much, much more. There, you will also find GSD and EDD files for Profibus PA systems as well as DD and CFF files for Foundation Fieldbus systems.

Instrument selection

With the "finder" you can select the most suitable measuring principle for your application: www.vega.com/finder.

You can find detailed information on the instrument versions in the "configurator" on our homepage under www.vega.com/configurator.

Contact

You can find the VEGA agency serving your area on our homepage www.vega.com.