

VEGASON 62

4 ... 20 mA/HART two-wire

Ultrasonic sensor for continuous level measurement



Application area

The VEGASON 62 is suitable for level measurement in liquids and for use in small bulk solids vessels. Typical applications are measurements of liquids in average-size storage vessels or open basins. The sensor is also suitable for detection of bulk solids.

Advantages

- Non-contact measurement
- Independent of product properties
- Adjustment without medium
- Integrated temperature sensor for correction of the sound running time

Function

Short ultrasonic pulses are emitted by the transducer in the direction of the measured product, reflected by its surface and received back by the transducer. The elapsed time from emission to reception of the signals is proportional to the level in the vessel.

Technical data

Measuring range	
– In liquids up to	8 m (26.25 ft)
– In bulk solids up to	3.5 m (11.48 ft)
Deviation	
	±10 mm
Process fitting	
	Thread G2 A, 2 NPT
Process pressure	
	-0.2 ... +2 bar/-20 ... +200 kPa (-2.9 ... +29 psig)
Process temperature	
	-40 ... +80 °C (-40 ... +176 °F)
Ambient, storage and transport temperature	
	-40 ... +80 °C (-40 ... +176 °F)
Betriebsspannung	
	14 ... 36 V DC

Materials

The wetted parts of the instrument are made of PVDF. The process seal is made of EPDM.

You can find a complete overview of the available materials and seals in the "configurator" on our homepage at www.vega.com/configurator.

Housing versions

The housings are available as single chamber or double chamber version in plastic, stainless steel or aluminium.

They are available in protection ratings up to IP 68 (1 bar).

Electronics versions

The instruments are available in different electronics versions. Apart from the two-wire electronics with 4 ... 20 mA/HART, a four-wire version and two purely digital versions with Profibus PA and Foundation Fieldbus are available.

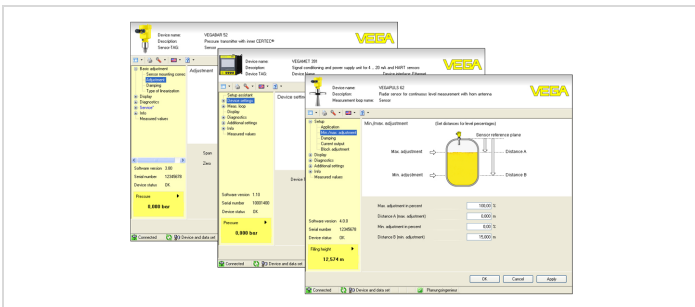
Approvals

The instruments are suitable for use in hazardous areas and are approved e.g. according to ATEX and IEC. The instruments have also different ship approvals such as e.g. GL, LRS or ABS.

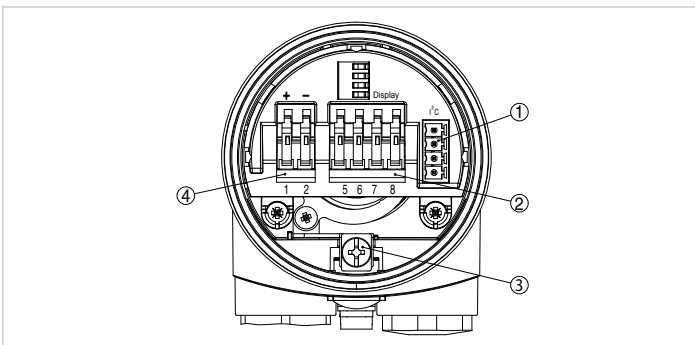
You can find detailed information on the existing approvals in the "configurator" on our homepage under www.vega.com/configurator.

Operation

The adjustment of the instrument is carried out via the optional indicating and adjustment module PLICSCOM or via a PC with the adjustment software PACTware and respective DTM. Further adjustment options are available via HART communicator as well as manufacturer-specific programs such as AMS™ or PDM.



Electrical connection

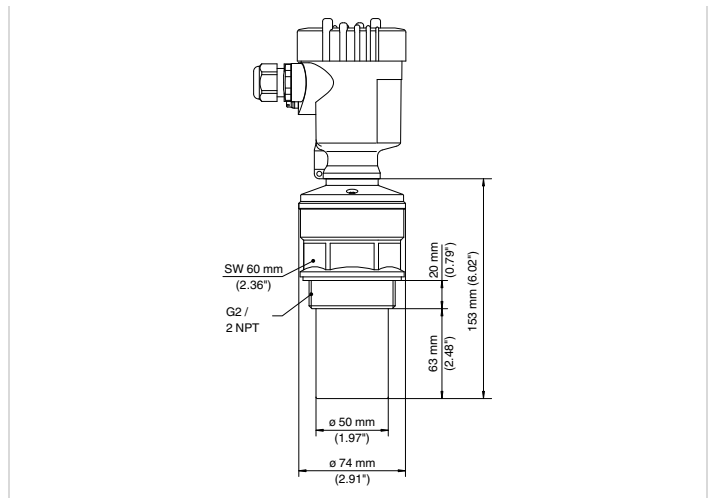


Electronics and connection department with single chamber housing

- 1 Plug connector for VEGACONNECT (I²C interface)
- 2 Spring-loaded terminals for connection of the external indication VEGADIS 61
- 3 Ground terminal for connection of the cable screen
- 4 Spring-loaded terminals for voltage supply and signal output

You can find details on the electrical connection in the operating instructions of the instruments on our homepage under www.vega.com/downloads.

Dimensions



Dimensions VEGASON 62

Information

You can find further information about the VEGA product line on our homepage www.vega.com. In the download section under www.vega.com/downloads you'll find free operating instructions, product information, brochures, approval documents, instrument drawings and much, much more. There, you will also find GSD and EDD files for Profibus PA systems as well as DD and CFF files for Foundation Fieldbus systems.

Instrument selection

With the "finder" you can select the most suitable measuring principle for your application: www.vega.com/finder. You can find detailed information on the instrument versions in the "configurator" on our homepage under www.vega.com/configurator.

Contact

You can find the VEGA agency serving your area on our homepage www.vega.com.