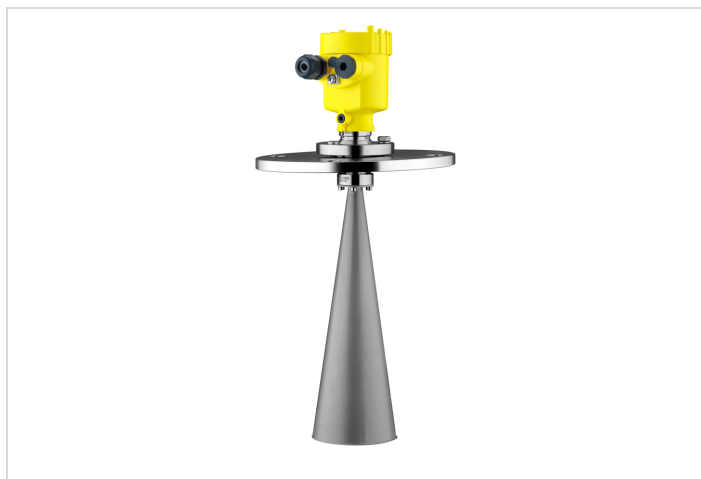


# VEGAPULS 68

## 4 ... 20 mA/HART two-wire

### Radar sensor for continuous level measurement of bulk solids



#### Application area

VEGAPULS 68 is designed for level measurement of bulk solids even under the most difficult process conditions. The mechanical construction as well as the electronics are optimised for this application.

The application possibilities can be found in the food processing industry, the plastic processing and steel production as well as in the building industry.

#### Advantages

- Non-contact measurement
- Simple mounting
- Wear and maintenance-free
- Unaffected by pressure, temperature, gas and dust
- High accuracy

#### Function

Extremely short microwave impulses are emitted by the antenna system in the direction of the measured product, reflected by the product surface and received back again by the antenna system. The time from emission to reception of the signals is proportional to the level.

A special processing procedure ensures reliable and precise measurement.

#### Technical data

Measuring range	up to 75 m (246.1 ft)
Deviation	±2 mm
Process fitting	Thread G1½ A or 1½ NPT, flange from DN 50 or ANSI 2"
Process pressure	-1 ... 160 bar/-100 ... 16000 kPa (-14.5 ... 2320 psig)
Process temperature	-200 ... +450 °C (-328 ... +842 °F)
Ambient, storage and transport temperature	-40 ... +80 °C (-40 ... +176 °F)
Operating voltage	9.6 ... 36 V DC

#### Materials

The wetted parts of the instrument are made of 316L, Hastelloy C22, Monell Alloy, stainless steel precision casting 1.4848 or PTFE, PP, PEEK. The process seal is made of FKM, FFKM or graphite. You can find a complete overview of the available materials and seals in the "configurator" on our homepage at [www.vega.com/configurator](http://www.vega.com/configurator).

#### Housing versions

The housings are available as single chamber or double chamber version in plastic, stainless steel or aluminium. They are available in protection ratings up to IP 68 (1 bar).

#### Electronics versions

The instruments are available in different electronics versions. Apart from the two-wire electronics with 4 ... 20 mA/HART, a four-wire version and two purely digital versions with Profibus PA and Foundation Fieldbus are available.

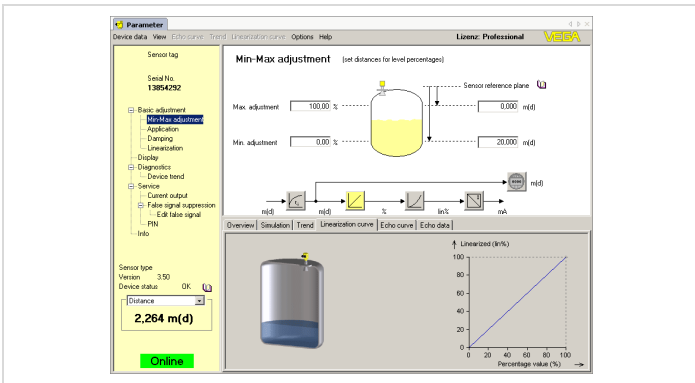
#### Approvals

The instruments are suitable for use in hazardous areas and are approved e.g. according to ATEX and IEC. The instruments have also different ship approvals such as e.g. GL, LRS or ABS.

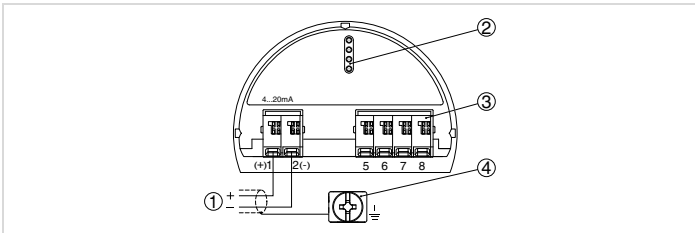
You can find detailed information on the existing approvals in the "configurator" on our homepage under [www.vega.com/configurator](http://www.vega.com/configurator).

## Operation

The adjustment of the instrument is carried out via the optional indicating and adjustment module PLICSCOM or via a PC with the adjustment software PACTware and respective DTM. Further adjustment options are available via HART communicator as well as manufacturer-specific programs such as AMS™ or PDM.



## Electrical connection

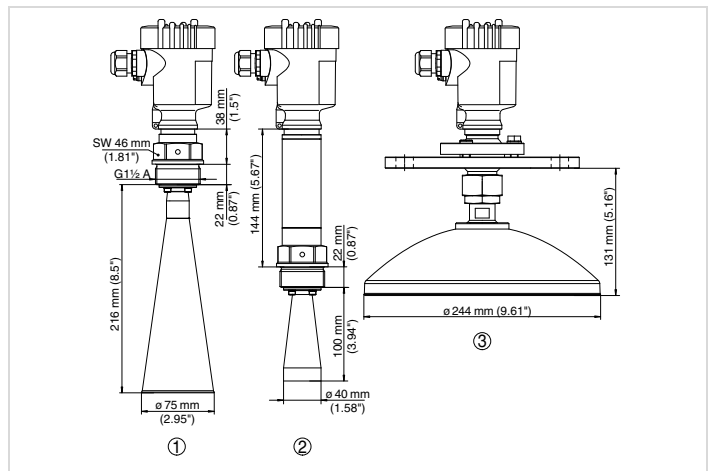


Electronics and connection compartment, single chamber housing

- 1 Voltage supply/Signal output
- 2 For indicating and adjustment module or interface adapter
- 3 For external indicating and adjustment unit
- 4 Ground terminal for connection of the cable screen

You can find details on the electrical connection in the operating instructions of the instruments on our homepage under [www.vega.com/downloads](http://www.vega.com/downloads).

## Dimensions



Dimensions VEGAPULS 68

- 1 Threaded version with horn antenna
- 2 Threaded version with horn antenna and temperature adapter
- 3 Version with parabolic antenna

## Information

You can find further information about the VEGA product line on our homepage [www.vega.com](http://www.vega.com). In the download section under [www.vega.com/downloads](http://www.vega.com/downloads) you'll find free operating instructions, product information, brochures, approval documents, instrument drawings and much, much more. There, you will also find GSD and EDD files for Profibus PA systems as well as DD and CFF files for Foundation Fieldbus systems.

## Device selection

With the "finder" you can select the measuring principle best suiting your application: [www.vega.com/finder](http://www.vega.com/finder). You can find detailed information on the instrument versions in the "configurator" on our homepage under [www.vega.com/configurator](http://www.vega.com/configurator).

## Contact

You can find the VEGA agency serving your area on our homepage [www.vega.com](http://www.vega.com).