



Feature

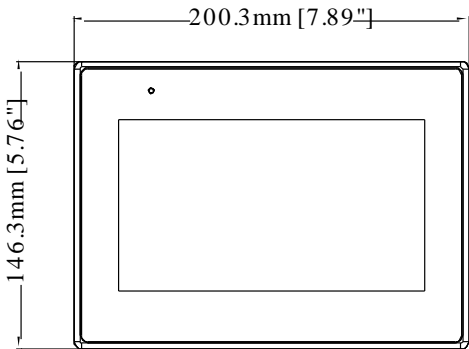
- 7" 800x480 TFT LCD, LED Backlight
- Fan-less Cooling System
- PCB coating process ensures high reliability to resist from corrosion in harsh environment
- COM2 and COM3 [RS485] support MPI 187.5K, please use one at one time
- NEMA4/IP65 Compliant Front Panel
- Built-in Power Isolation

Display	Display	7" TFT LCD
	Resolution (WxH dots)	800 x 480
	Brightness (cd/m ²)	350
	Contrast Ratio	500:1
	Backlight Type	LED
	Backlight Life Time	>30,000 hrs.
	Colors	16M
Touch Panel	Type	4-wire Resistive Type
	Accuracy	Active Area Length(X)±2%, Width(Y)±2%
Memory	Flash	128 MB
	RAM	128 MB
Processor		32 bits RISC Cortex A8 600MHz
I/O Port	USB Host	USB 2.0 x 1
	Ethernet	1 RJ45 port (10/100 Base-T)
	COM Port	COM1: RS-232, COM2: RS-485 2w/4w, COM3: RS-485 2w
RTC		Built-in
Power	Input Power	24±20%VDC
	Power Isolation	Built-in
	Power Consumption	350mA@24VDC
	Voltage Resistance	500VAC (1 min.)
	Isolation Resistance	Exceed 50MΩ @ 500VDC
	Vibration Endurance	10 to 25Hz(X,Y,Z direction 2G 30 minutes)
Specification	Enclosure	Plastic
	Dimensions WxHxD	200.3 x 146.3 x 35mm
	Panel Cutout	192 x 138mm
	Weight	Approx.0.6 kg
Environment	Protection Structure	NEMA4 / IP65
	Storage Temperature	-10°~60°C (14° ~ 140°F)
	Operating Temperature	0° ~ 50°C (32° ~ 122°F)
	Relative Humidity	10% ~ 90% RH (non-condensing)
	PCB Coating	Yes
Certificate	CE	CE marked
Software		EasyBuilder Pro V4.10.04 or later versions

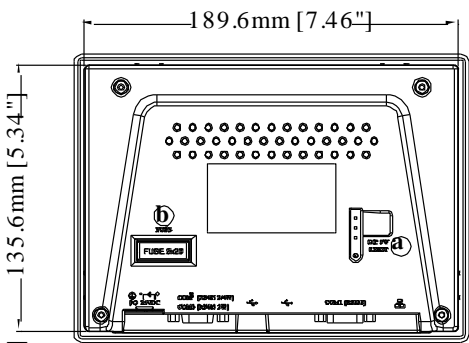
Dimensions



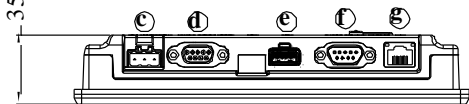
Top View



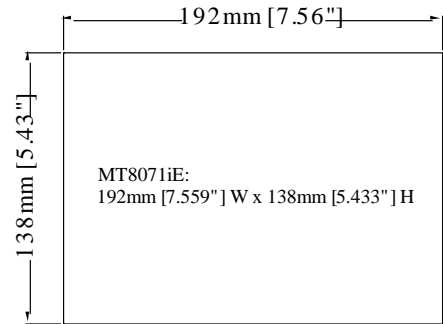
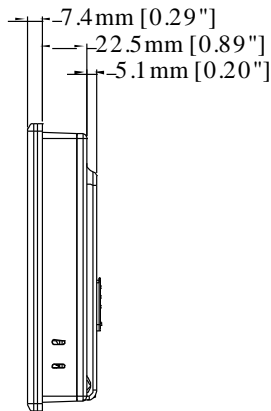
Front View



Rear View



Bottom View



MT8071iE:
192mm [7.559"] W x 138mm [5.433"] H

a.	DIP SW
b.	Fuse
c.	Power Connector
d.	COM2 RS485 2W/4W, COM3 RS485 2W
e.	USB Host
f.	COM1 RS232
g.	Ethernet

Ordering Information

□ **MT8071iE1:**

7" 800x480 TFT LCD HMI, Built-in 128MB flash memory / 128MB DDR2 RAM on board

Pin Assignment:

COM1 [RS232] 9 Pin, Male, D-sub

PIN#	Symbol	COM1 [RS232]
1	Not used	
2	RxD	Received Data
3	TxD	Transmitted Data
4	Not used	
5	GND	Ground
6	Not used	
7	RTS	Ready to send output
8	CTS	Clear to send input
9	Not used	

COM2 / COM3 [RS485] 9 Pin, Female, D-sub

PIN#	Symbol	Com2 [RS485]2w	Com2 [RS485]4w	Com3 [RS485]
1	Rx-	Data-	Rx-	
2	Rx+	Data+	Rx+	
3	Tx-		Tx-	
4	Tx+		Tx+	
5	GND		Ground	
6	Data-			Data-
7	Not used			
8	Not used			
9	Data+			Data+