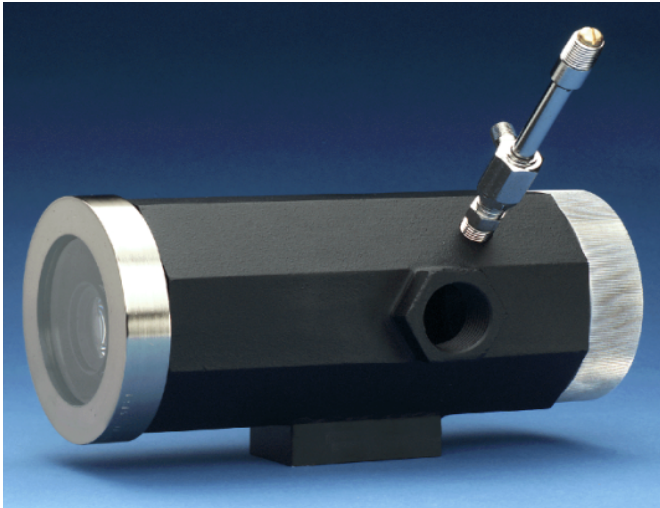


# CANTY

## PROCESS TECHNOLOGY

## INDUSTRIAL SURVEILLANCE CAMERAS



### WEATHER PROOF/ EXPLOSION PROOF

Canty Surveillance Cameras are ideal for demanding surveillance applications, visual inspection or verification functions in extreme environments.

- Weather proof, explosion/flame proof housings.
- Designed for harsh industrial environments - Heavy duty, rugged enclosures.
- Fused glass provides hermetic seal of the enclosure - no gaskets required.
- High Quality cameras, optics for optimum picture resolution.
- All cameras, lenses feature state of the art camera technology.
- Compact and light-weight
- Various models feature FM, CSA approvals, approval to CENELEC standards.

### THE CANTY ADVANTAGE

Canty also offers a wide variety of accessories:

- Optional UV, IR lens filters - Available in various sizes and filtering capabilities.
- Cooling tubes - For high ambient temperature areas - uses filtered (instrument) air to cool camera electronics in high ambient temperatures.
- Spray Rings - keep lens clean and free of debris in dirty, harsh environments - See Jet Spray Ring data sheet.

### ELECTRICAL

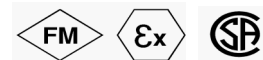
- Illumination: B&W - .0001 lux typ. at F =1.4  
Color - .1 lux typ. at F =1.4  
Ethernet - 1 lux typ. at F =1.4
- Video Output: 1.0 V p-p, 75 ohm (non Ethernet) or Ethernet output to PC models available
- Format: NTSC, PAL , Ethernet are available
- Cabling: 75 ohm RG59/U coaxial cable suitable for CCTV applications for analog cameras. Ethernet cameras require CAT5e cabling.
- Power Req.: User supplies 120 V AC (US models) or 230 V AC (European models)  
Canty supplies transformer to 12 V DC.  
Cameras operate on 12 V DC, 500 mA
- Power Supply: Available in unrated, weather proof or explosion proof / flame proof
- Iris: Electronic auto iris/shutter speed.

### MECHANICAL

- Size: See dimensional info drawing.
- Weight: Approximately 5 lbs.
- Mounting: 1/4" x 20 connection, 3X in mounting block on housing. Various wall, base mount brackets are available.
- Ratings: Available in NEMA 4, IP66, Explosion proof Class I, Div. 1, Groups B, C & D, Class II, Div. 1, Groups E, F & G, or Flame proof EEx d IIC T6.
- Temperature: - 10°C to 40°C typical. Ratings to 2000°F are available on certain models. Consult factory for details.

### ACCESSORIES

- Pan & Tilt units - WP, EXP, or Flame proof
- Video Switchers - 4, 8 or 16 input models
- Distribution Amplifiers - To display one camera on several monitors.
- Equalizing Amplifiers - For long cable runs
- Fiber Optic Link - Fiber optic video transmission for cable runs up to 1 mile typ. Consult factory for longer cable runs. Impervious to interference.
- Time / Date generators
- Data overlay modules
- VCR recording
- Many, many more.



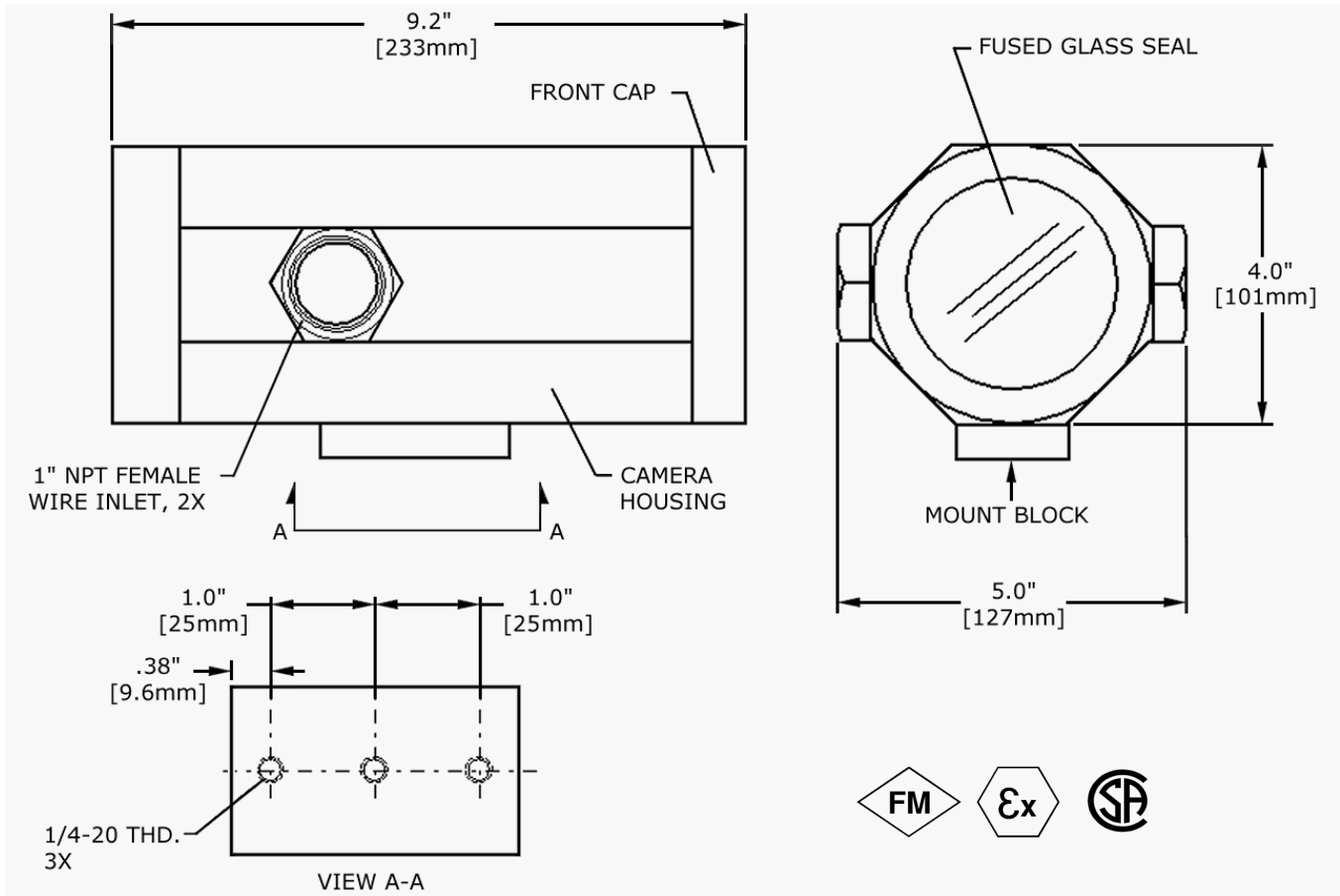
**CANTY** JM Canty Inc | Buffalo, NY USA  
JM Canty Intl Ltd | Dublin, Ireland

Ph: (716) 625 4227  
Ph: + 353 (01) 882 9621

Fax: (716) 625 4228  
Fax: +353 (01) 882 9622

[www.jmcanty.com](http://www.jmcanty.com)

## DIMENSIONAL INFORMATION



**HOW TO ORDER:** Select the appropriate symbols and build a part number as shown:

**EXAMPLE:**

**VSE5011-WP**

VIDEO OUTPUT FORMAT  
 VS - North American Standard  
 VE - European Standard

CAMERA OPTIONS  
 B - B&W camera  
 C - Color camera  
 L - Low Light B&W camera  
 I - IR (Near) B&W camera  
 E - Ethernet camera

CAMERA APPLICATION  
 4 - Surveillance with 304L SS enclosure  
 5 - Surveillance with aluminum enclosure (standard)

CAMERA PSU ENVIRONMENTAL RATING  
 0 - [Non WP or EXP camera power supply](#)  
 1 - [WP camera power supply](#)  
 2 - [EXP or FP camera power supply. EXP PSU enclosure is rated Class I, Div. 1, Groups C & D.](#)

CAMERA ENCLOSURE ENVIRONMENTAL RATING /INPUT VOLTAGE  
 WP - Weather Proof, NEMA 4 and IP66 rated. User supplies 120V AC  
 IP - Weather Proof, NEMA 4 and IP66 rated. User supplies 230V AC  
 EXP - Explosion proof Class 1, Div. 1, Groups B, C, and D. Class II, Div. 1, Groups E, F and G. User supplies 120V AC.  
 FP - Flame proof EEx d IIC T6. User supplies 230V AC.

ADDITIONAL OPTIONS  
 1 - No additional options  
 2 - Cooling Tube  
 3 - Spray Ring  
 4 - Spray Ring and Cooling Tube  
 5 - Cooling Tube, Orifice Plate and Insulation Jacket  
 A - Orifice Plate

LENS OPTION AND APPROXIMATE LENS VIEW ANGLES  
 1 - Manual iris lens with standard view angle, 41°H x 31°V  
 2 - Manual iris lens with wide view angle, 69°H x 53°V  
 3 - Manual iris lens with wide view angle, 58°H x 45°V  
 4 - Manual iris lens with standard view angle, 22°H x 17°V  
 6 - Manual iris lens with narrow view angle, 7°H x 5°V  
 7 - 6x Zoom Lens with Auto Iris, 8 - 48mm FL  
 Provides view angles: 43°H x 33°V at 8mm  
 8°H x 6°V at 48mm  
 8 - Manual iris lens with narrow view angle, 3.5°H x 2.5°V

**CANTY**

JM Canty Inc | Buffalo, NY USA  
 JM Canty Intl Ltd | Dublin, Ireland

Ph: (716) 625 4227  
 Ph: + 353 (01) 882 9621

Fax: (716) 625 4228  
 Fax: +353 (01) 882 9622

[www.jmcanty.com](http://www.jmcanty.com)