

# VEGADIS 81

## External display and adjustment unit for plics sensors



### Application area

The VEGADIS 81 is an external measured value indication which is also used for sensor operation. It can be mounted at a distance of up to 50 m from the sensor and is powered directly by the sensor. Separate external energy is not required. If the sensor is difficult to access, the VEGADIS 81 can be mounted at an optimised location.

### Your benefit

- Good readability through clear DOT matrix display with easy 4-key adjustment as well as integrated display lighting
- Simple, clearly structured adjustment of the plics® sensors through clear text indication and graphic support
- Readability and operability facilitated on site by the display and adjustment module which can be plugged in in 90° rotational steps

### Function

VEGADIS 81 is connected to the sensor with a screened four-wire standard cable up to 50 m long. Communication is carried out via this cable and the VEGADIS 81 is also powered by the sensor.

### Technical data

#### General data

Material	
– Housing	plastic PBT, Alu die-casting, 316L
– Inspection window in housing cover for display and adjustment module	Polycarbonate (UL-746-C listed)
– Ground terminal	316Ti/316L
Weight approx.	0.35 kg (0.772 lbs)

#### Adjustment circuit

Connection to	VEGA plics® sensors
Data transmission	digital (I <sup>2</sup> C-Bus)
Cable length (depending on the sensor version) max.	25 m (82.02 ft), 50 m (164.0 ft)

#### Display and adjustment module

Indication	LC display in dot matrix
Adjustment elements	4 keys
Protection rating	
– unassembled	IP 20
– mounted into VEGADIS 81 without cover	IP 40

#### Material

– Housing	ABS
– Inspection window	Polyester foil

#### Electromechanical data

##### Options of the cable entry

– Cable gland	M20 x 1.5 (cable: ø 5 ... 9 mm)
– Cable entry	½ NPT
– Blind plug	M20 x 1.5; ½ NPT
– Closing cap	M20 x 1.5; ½ NPT

##### Wire cross-section (spring-loaded terminals)

– Massive wire, cord	0.2 ... 2.5 mm <sup>2</sup> (AWG 24 ... 14)
– Stranded wire with end sleeve	0.2 ... 1.5 mm <sup>2</sup> (AWG 24 ... 16)

#### Ambient conditions

Ambient temperature	-20 ... +70 °C (-4 ... +158 °F)
Storage and transport temperature	-40 ... +80 °C (-40 ... +176 °F)

#### Electrical protective measures

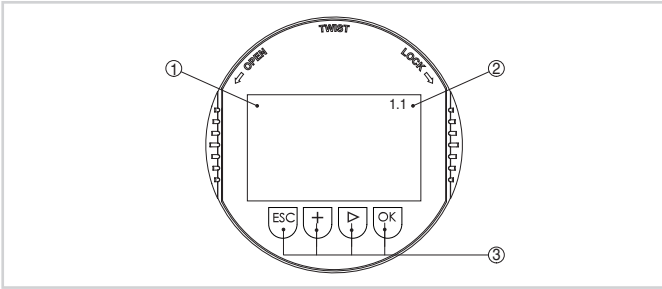
Protection rating	
– Housing plastic	IP 66/IP 67
– Housing Aluminium, stainless steel	IP 66/IP 68 (0.2 bar)
Overvoltage category	III
Protection class	II

### Approvals

You can find detailed information on the existing approvals in the "configurator" on our homepage at [www.vega.com/configurator](http://www.vega.com/configurator).

## Operation

Adjustment of the connected sensor is menu-driven via four keys on the front and one LC display.



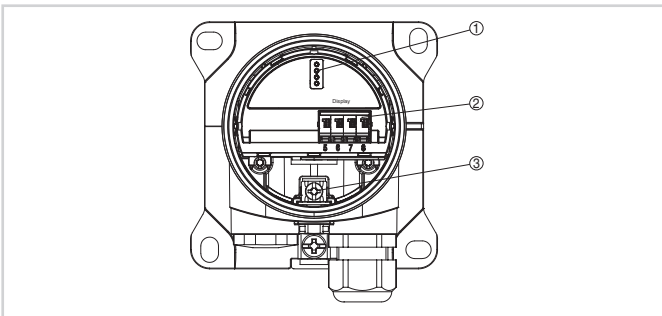
Display and adjustment elements

- 1 LC display
- 2 Indication of the menu item number
- 3 Adjustment keys

## Contact

You can find the VEGA agency serving your area on our homepage [www.vega.com](http://www.vega.com).

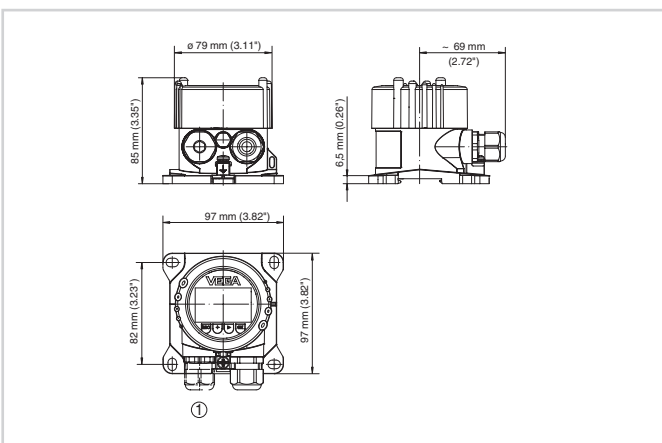
## Electrical connection



Electronics and connection compartment

- 1 Contact pins for the indicating and adjustment module
- 2 Spring-loaded terminals for connection of the sensor
- 3 Ground terminal for connection of the cable screen

## Dimensions



Cable gland with version with heated display and adjustment module

## Information

You can find further information on the VEGA product line on our homepage [www.vega.com](http://www.vega.com).

In the download section under [www.vega.com/downloads](http://www.vega.com/downloads) you'll find free operating instructions, product information, brochures, approval documents, instrument drawings and much, much more.